

Machined Parts & Engineered Items

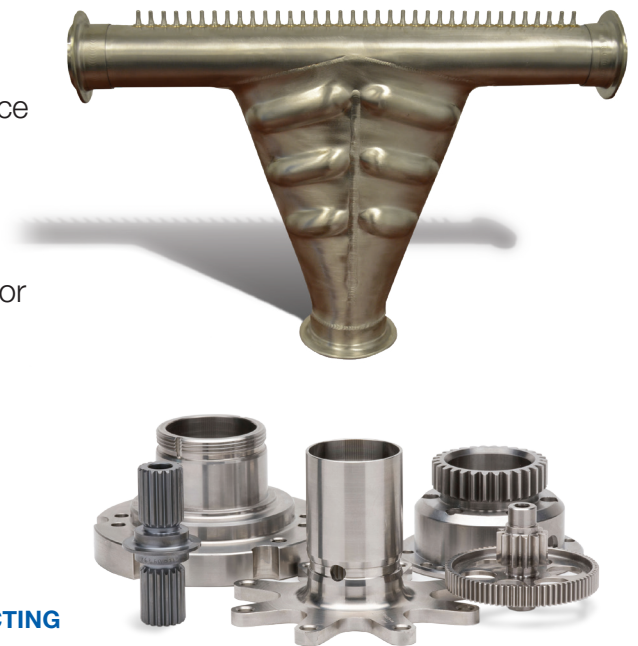
A specialized team to source your OEM & PMA print controlled parts.

Boeing Distribution Services has a specialized machined parts team to ensure each machined part we provide is in conformance with all quality requirements for customers in the commercial, domestic and foreign military and business jet markets, supporting their production OEM and aftermarket needs.

We partner with customers to select the proper certified vendor for each part — from a small bracket to a large empennage section. And everything we provide can be incorporated into Min/Max, VMI, Web Portal and Kitting solutions to minimize costs and improve turnaround time rates.

Working with over 100 manufacturers, Boeing Distribution Services can help create the right part for virtually any need:

SMALL PARTS	SPECIALTY PARTS	COMPLEX PARTS	MATERIALS	MANUFACTURING PROCESS
Bearings	Latches	Bulkheads	Composite	Assembly
Brackets	Springs	Flaps	Exotic Metal	Lathe
Bushings	Tubes	Frames	Hard Metal	Laser Cut
Gears	Valves	Mounts	Plastic	Milling –
Seals		Skins	Soft Metal	3, 4, and
Shims		Struts		5 axis
				Press Form
				Stamping



Boeing Distribution Services offers you:

OPTIMIZATION

- Single point of contact for engineered part sourcing and delivery
- Lower product costs
- Integration with streamlined Kitting solutions

TECHNICAL SKILLS

- Build to print expertise
- Manufacturing process and material knowledge
- Experience sourcing small brackets to large complex assemblies

ESTABLISHED VENDOR NETWORK

- Fully vetted and certified vendors
- Multiple quotes from vendor network
- Fully traceable products

Contact your Boeing Distribution Services representative for help with all your machined parts and print controlled product needs.

Boeing Distribution Services
 3760 W. 108th Street
 Miami, FL 33018 USA
 Ph: +1-305-925-2600

BoeingDistribution.com